

## Safety Ladders: Made of Aluminium

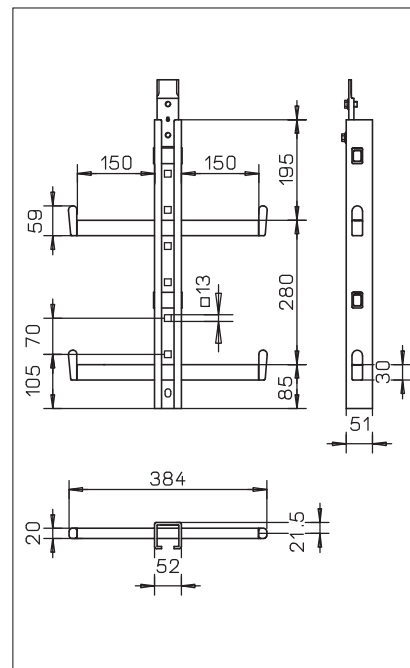
### Y-Spar

Anodized aluminium alloy ladder. Guide-rail profile: 52 x 51 mm. Comes with joint plate. Mounting brackets extra to order. Mounting distance: recommended 1400 mm - max. 1680 mm. Installation of bracket to ladder is carried out through the rectangular cut outs in the back of the guide-rail or through its side. See page A 3. Maximum section length: 4480 mm. Rung distance: 280 mm centres.

**Step width per side: 150 mm**

Weight: 3,2 kg per metre

**Part No. YAL<ladder length in mm>**



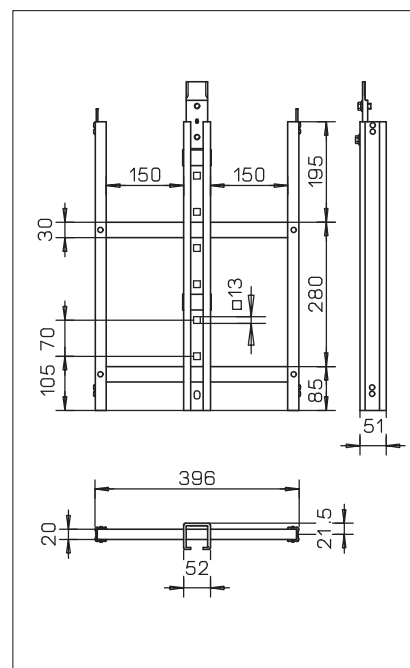
### Twin ladder

Anodized aluminium alloy ladder with side-rails. Guide-rail profile: 52 x 51 mm. Comes with joint plate. Mounting brackets extra to order. Mounting distance: recommended 1400 mm - max. 2240 mm. Installation of bracket to ladder is carried out through the rectangular cut outs in the back of the guide-rail or through its side. See page A 3. Maximum section length: 4480 mm. Rung distance: 280 mm centres.

**Step width per side: 150 mm**

Weight: 3,5 kg per metre

**Part No. ZAL<ladder length in mm>**



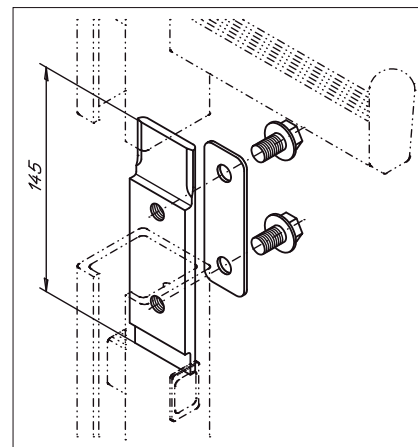
## Safety Ladders: Made of Aluminium

### Connectors

Made of anodised aluminium with safety cover plate. To connect aluminium Y-ladders. Complete with all mounting screws. Included in the delivery of each Y-ladder (page A 1). Must be used when an existing ladder is cut and reconnected.

Weight: 0,1 kg/each

**Part No. 17440**



### Connectors with square hole

Made of anodised aluminium with safety cover plate. To connect aluminium Y-ladders. Can be used in connection with mounting bracket. Opening in Y-spar ladder to be increased to accommodate M 12. Complete with all mounting screws.

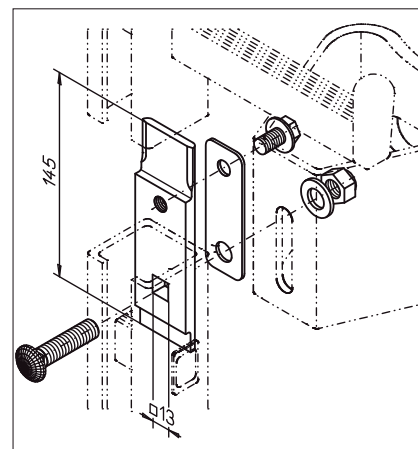
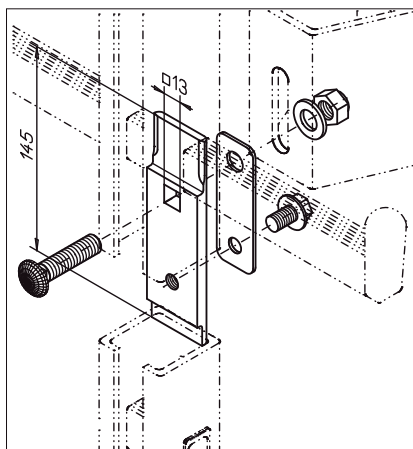
Weight: 0,22 kg/each

Location of upper square mounting hole

**Part No. 21458**

Location of lower square mounting hole

**Part No. 22096**

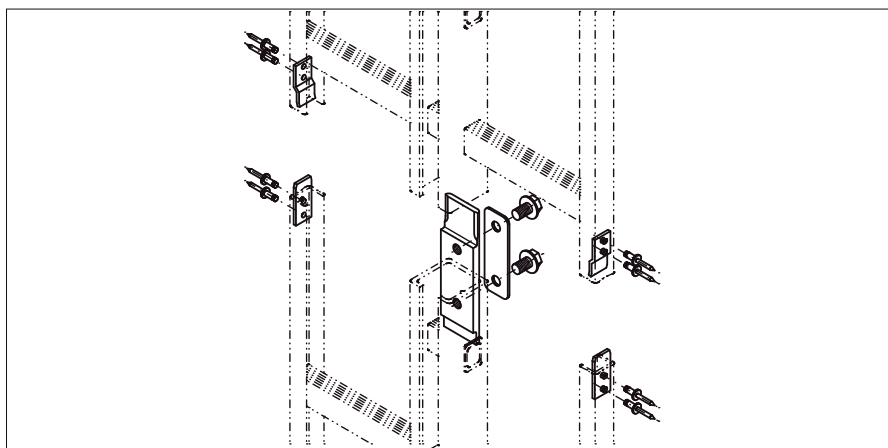


### Set of connectors

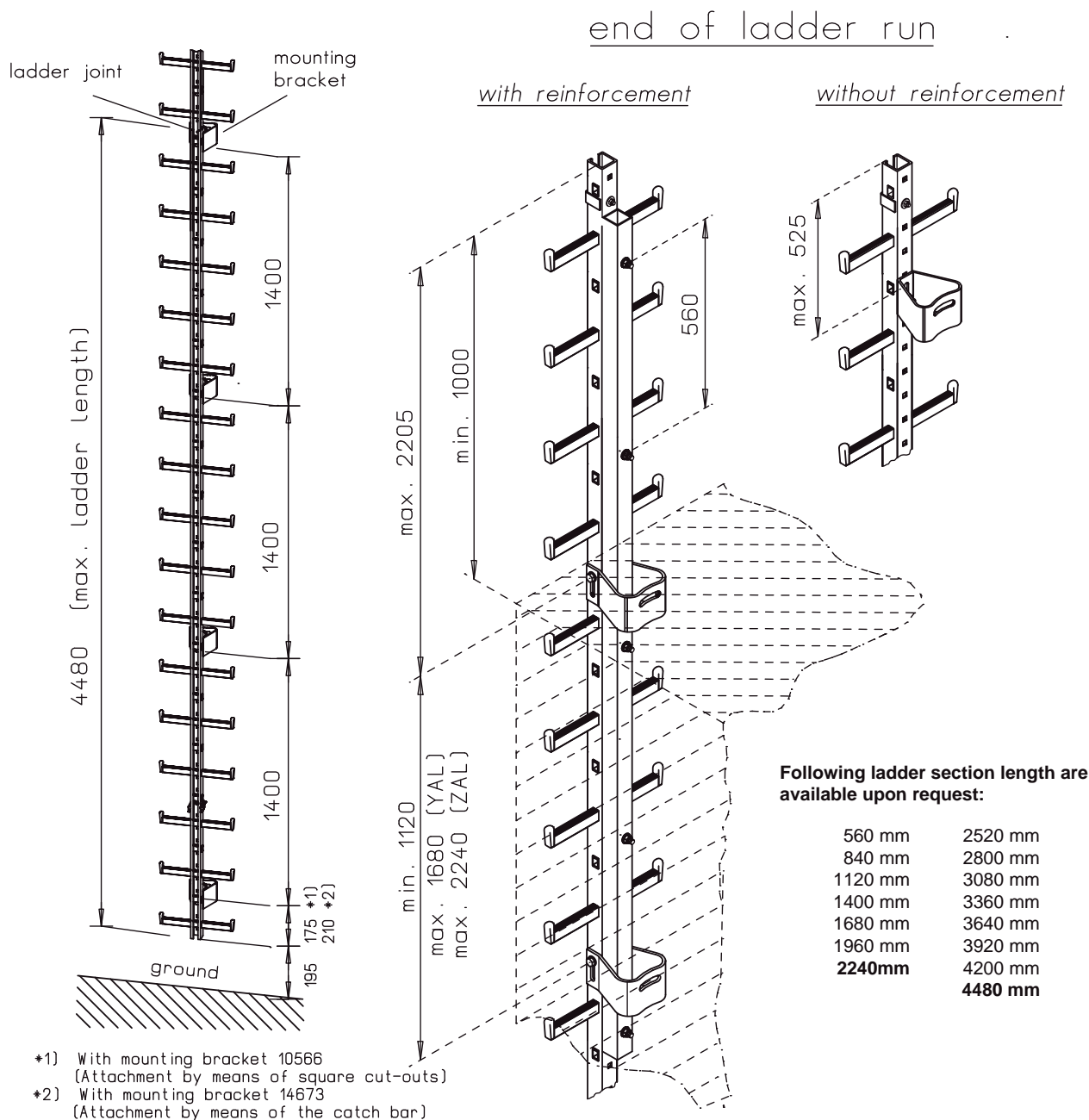
To connect twin ladders. Made of anodised aluminium. Complete with all mounting elements. Included in the delivery of each Y-ladder (page A 1). Must be used when an existing ladder is cut and reconnected.

Weight: 0,25 kg/each

**Part No. 21876**



Fixing points for Y-spar and Twin ladder made of aluminium. Using a recommended mounting distance between brackets of 1.400 mm up to a max. of 1.680 / 2.240 mm.



**Warning:**

For design reasons the guide rail of the ladder must be reinforced if, at the end of the ladder run, the guide-rail rises more than 525 mm above the last mounting bracket. **Projections of more than 525 mm without extra reinforcement are not permitted.** The SÖLL guide rail reinforcement made of 50 mm x 50 mm x 3 mm is bolted onto the guide rail from the back at a distance of 560 mm and must extend down over at least two mounting brackets. Aluminium ladders are subject to temperature-dependent variation of length, which is approximately twice the variation of supporting frameworks made of steel or concrete. In order to avoid tensions to the ladder fixings for the reason of the variant length connections, minimum gap widths should be considered with the ladder joinings.

## Safety Ladders: Made of Aluminium End-Stops

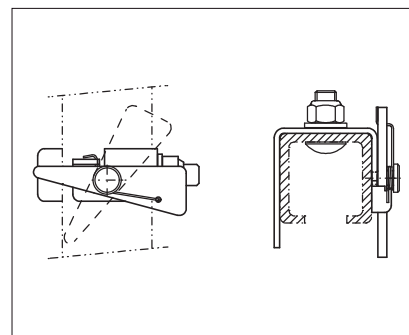
### Top End-Stop, spring activated

Prevents the fall arrester from either being inserted incorrectly or accidentally slipping out of the guide-rail. For fitting to the very top of the ladder system. Comes with all fixings.

#### Stainless steel, pickled

Weight: 0,2 kg/each

Part No. 21052



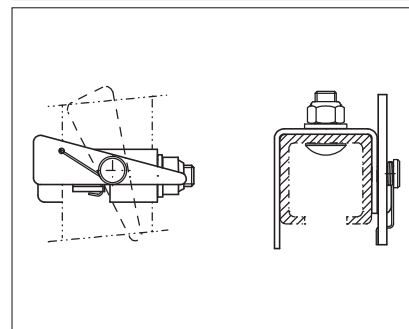
### Bottom End-Stop, spring activated

Prevents the fall arrester from either being inserted incorrectly or accidentally slipping out of the guide-rail. For fitting to the very beginning of the ladder system. Comes with all fixings.

#### Stainless steel, pickled

Weight: 0,2 kg/each

Part No. 21051



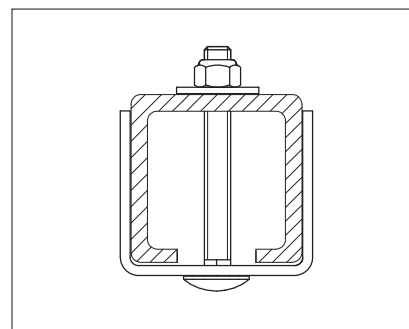
### Rigid End-Stop

Does not allow the fall arrester being taken out of the very top ladder section. Comes with all fixings.

#### Stainless steel, pickled

Weight: 0,2 kg/each

Part No. 11634



## Safety Ladders: Made of Aluminium Mounting brackets

### Bracket

Projection: 150 mm. Made of anodized aluminium. See page A 4. Comes with stainless steel installation elements for fixing ladder to bracket. Wall attachment must be drilled to suit site conditions. Minimum bolt diameter for wall fixing: M 16. Custom made projections upon request.

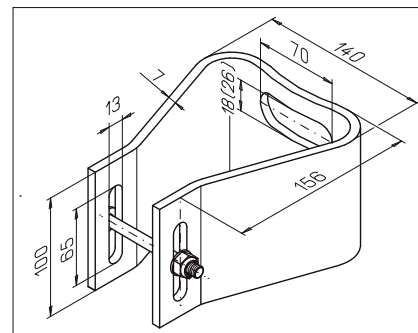
Weight: 0,9 kg/each

**M 16**

**Part No. 14673**

**M 24**

**Part No. 16874**



### Bracket

Projection: 150 mm. Made of anodized aluminium. See page A 3. Comes with stainless steel installation elements for fixing ladder to bracket. Wall attachment must be drilled to suit site conditions. Minimum bolt diameter for wall fixing: M 16. All heights of the structure are accessible by moving and turning the bracket as required (variable mounting distance).

Weight: 0,7 kg/each

**M 16**

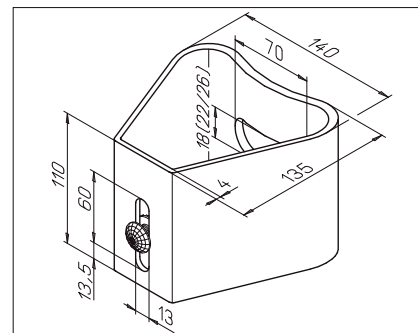
**Part No. 10566**

**M 20**

**Part No. 22246**

**M 24**

**Part No. 16867**



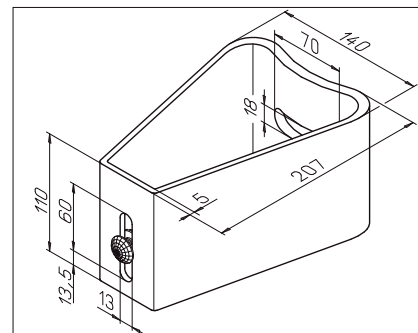
### Bracket

Projection: 220 mm. Made of anodized aluminium. Comes with ladder installation components. Wall attachment must be drilled to suit site conditions. Minimum bolt diameter for wall fixing: M 16. All heights of the structure are accessible by moving and turning the bracket as required (variable mounting distance).

Weight: 1,0 kg/each

**M 16**

**Part No. 21443**

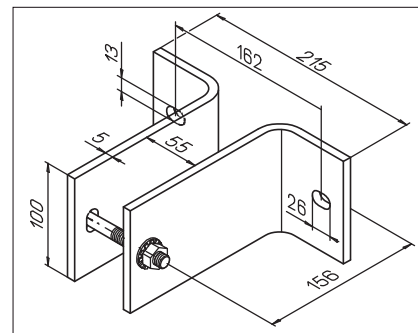


### Bracket

Projection: 150 mm. Made of anodized aluminium. Mounting distance for installation without scaffolding: 560 mm. Comes with stainless steel installation elements for fixing ladder to bracket. Wall attachment must be drilled to suit site conditions. Minimum bolt diameter for wall fixing: 2 x M 12.

Weight: 0,7 kg/each

**Part No. 10521**



### Note:

The projection „L“ is subject to the type of the bracket.

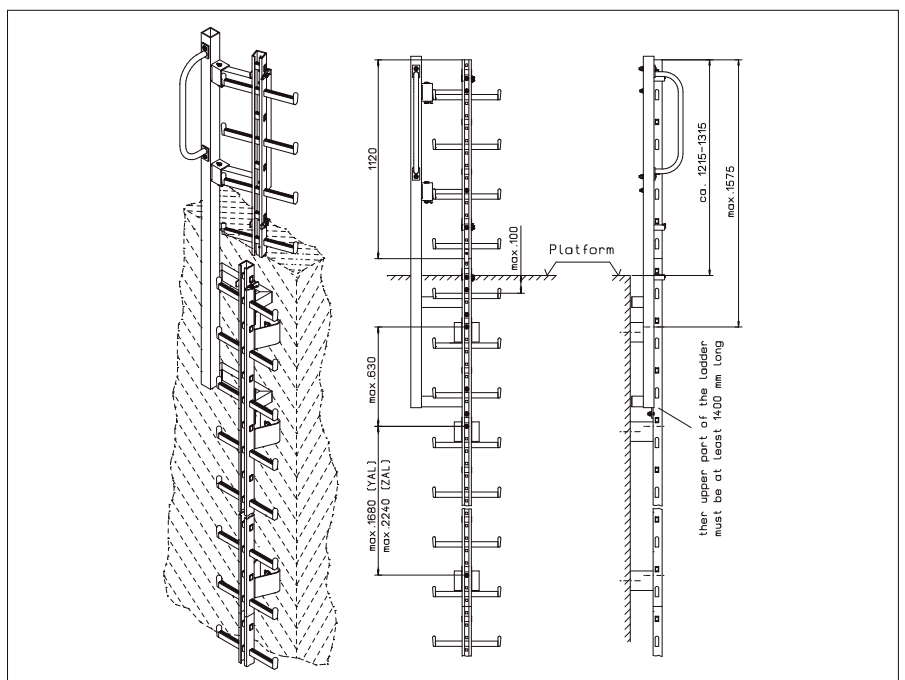
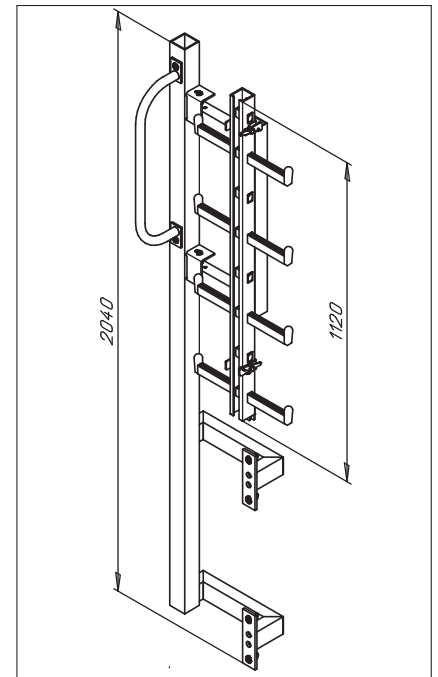
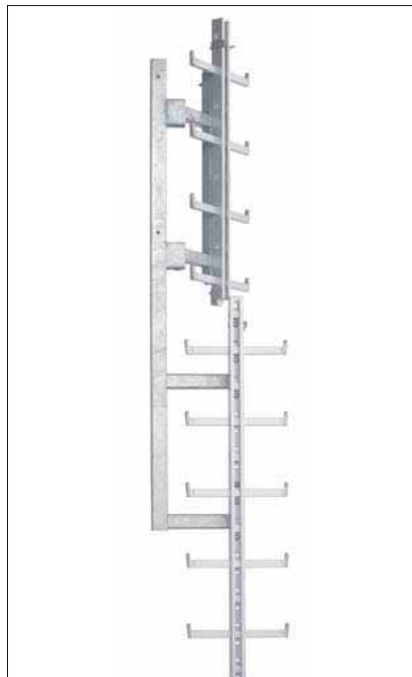
## Safety Ladders: Made of Aluminium Pivoting roof exit

### Pivoting roof exit

To be used in confined spaces. For a safe transfer to a surface behind the climbing way. Anchoring on the left side. Complete with all fixing elements. To be fixed on the central spar of the aluminium ladder. (Pls. See page A21).

Weight: 33,0 kg/each

Part No. 23144



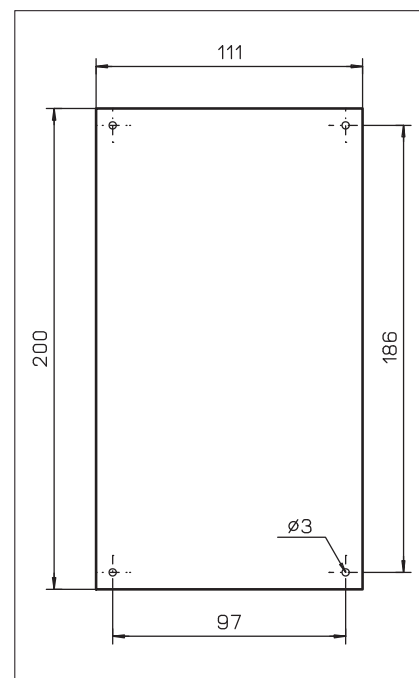
## Safety Ladders: Aluminium Accessories

### Identification plate

for Fall Protection Systems - Climbing Ladders.  
 Cover plate assembled in factory.

**Part No. 19876 not graded engraved**

Part No.	Denomination
20881	Y-Spar Alu, TB150
20883	Twin-Ladder Alu, TB150



### Söll Special Bolt

Special bolt for fixing Söll-Ladders and guide-rails to the mounting brackets. Comes with washer, lock washer and nut. Longer sizes upon request.

M 12 x 30

**Galvanized steel: Part No. 15667**

**Stainless steel: Part No. 15669**

M 12 x 35

**Galvanized steel: Part No. 15850**

**Stainless steel: Part No. 15858**

M 12 x 40

**Galvanized steel: Part No. 15851**

**Stainless steel: Part No. 15859**

M 12 x 50

**Galvanized steel: Part No. 15852**

**Stainless steel: Part No. 15860**

M 12 x 60

**Galvanized steel: Part No. 15853**

**Stainless steel: Part No. 15861**

M 12 x 70

**Galvanized steel: Part No. 15854**

**Stainless steel: Part No. 15862**

M 12 x 80

**Galvanized steel: Part No. 15855**

**Stainless steel: Part No. 15863**

M 12 x 90

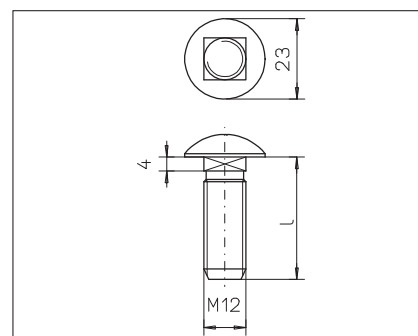
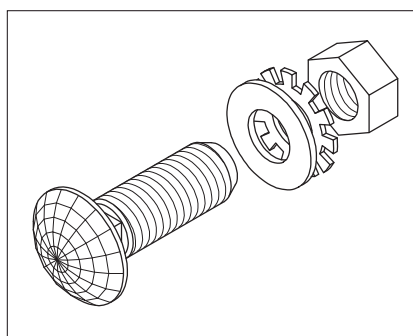
**Galvanized steel: Part No. 15856**

**Stainless steel: Part No. 15864**

M 12 x 100

**Galvanized steel: Part No. 15857**

**Stainless steel: Part No. 15865**



Technical specifications are subject to change without notice.